

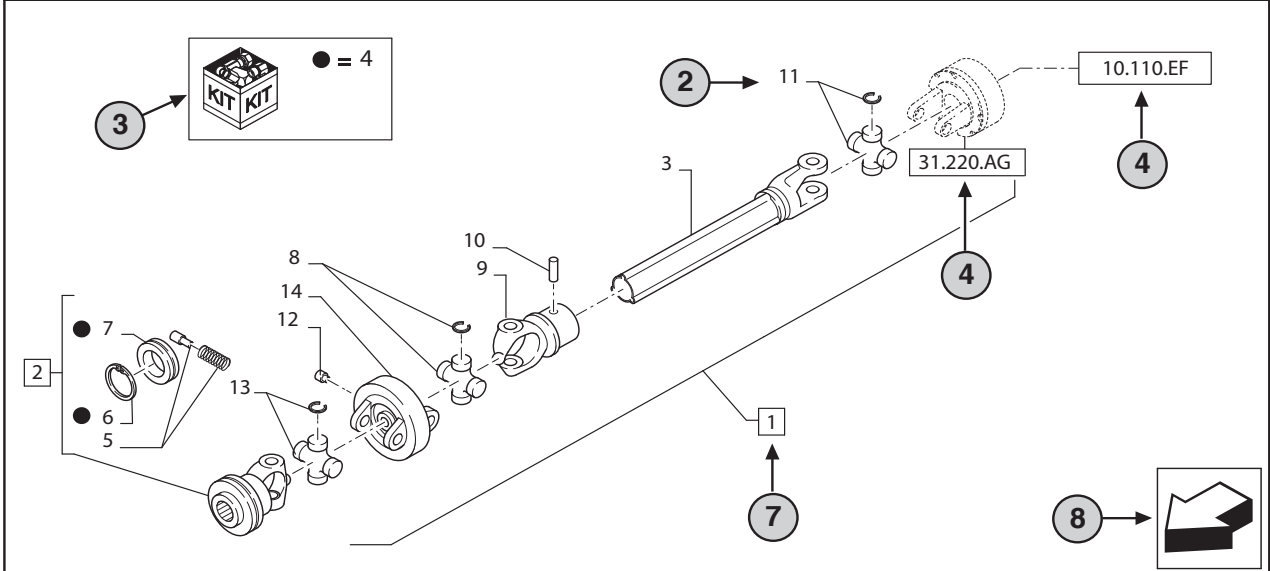
All rights reserved by **CNHi**.

The information contained in this catalogue is intended to be of a general nature only. **CNHi** may at any time and from time to time, for technical or other necessary reasons, modify any of the details or specifications of the product described in this catalogue.

To be sure of getting accurate, detailed and up-to-date information, an intending buyer should consult his nearest **CNHi** dealer or distributor.

Single item numeration method used in this catalogue may not be used without written consent from **CNHi**.

VAR - 123782, 789101,987654 - PTO - D650



STANDARD ← (6)

VAR - 123782, 789101,987654 - PTO - D650

(11) (12) (13) (14)

REF	FN	PART NUMBER	YR/SN	QTY	DESCRIPTION
1	1	86529340	(20)	1	SHAFT PTO, Incl 2 - 11
2	(15)	84014007		1	YOKE, Incl 4 -7 ← (7)
3	(16)	NSS		1	NOT SERVICED SEPARATELY, SHAFT, 350mm, Incl in 1
4		84004292		1	KIT, Seal Kit, Incl 6, 7 (17)
4		{84058743}		1	KIT, Seal Kit, Incl 6, 7
(2)	(18)	(19)	(21)	(22)	
		1 = FOR ITALY ONLY ← (5)			

MODELS ← (1)


- 1 Model Number and Model Description
- 2 Reference - Figure call-out of the part number.
- 3 Parts supplied in repair kits per symbol reference.
- 4 31.220.AD Part illustrated on the **Page** or in the **Figure** indicated, or calls for **Variations** or **Details**. Indicates components shown in detail elsewhere in the catalogue under the figure number shown.
- 5 Footnote references
- 6 Figure notes
- 7 1 2 Includes item(s) (See Description within partlist).
- 8 Orientation. (Arrow indicates front of the machine). 
- 9 Figure description.
- 10 General information of the figure.
- 11 Figure title number that aligns with the SRT. Standard Repair Time.
- 12 **Sequence** code within the assembly.
- 13 Page number within the sequence code.
- 14 **Date** of printing or updating of page (month-year).
- 15 **Note** - Relating to the Part Number. There is a key to symbols and abbreviations at the bottom of the text page.
- 16 Non-serviced parts.
- 17 Further description of the part to help confirm identification.
- 18 Not available as service part.
- 19 Part Number.
- 20 To be defined.
- 21 Total **Quantity** of the Part referred to in the page.
The quantity can be replaced by the following indications:
AR = quantity as requested.
- 22 Part **Description**.
- 23 Variant Codes

TABLE OF CONTENTS

01.10.01	ALTERNATOR KIT, 75AMP
01.01	CYLINDER BLOCK
01.01.01	ATTACHING HARDWARE ENGINE TO TRANSMISSION
01.02	CAMSHAFT
01.03	CYLINDER HEAD
01.04	HEAD COVER
01.05	ROCKER ARM
01.06	CRANKSHAFT & PISTONS
01.07	TIMING GEAR CASE
01.08	OIL PUMP, WATER PUMP & FAN
01.09	AIR DEFLECTOR GUARD
01.10	ALTERNATOR ASSEMBLY
01.11	STARTING MOTOR
01.12	BALANCER
01.13	FUEL INJECTION PUMP & LINES
01.13.02	FUEL INJECTOR
02.01	RADIATOR-CONDENSOR W/CAB
02.02	OIL COOLER
02.02.01	OIL COOLER TUBES
02.03	FUEL TANK
02.04	AIR CLEANER
02.04.01	AIR CLEANER BRACKET
02.04.02	AIR CLEANER BRACKET
02.05	EXHAUST SYSTEM
02.06	FUEL FILTER
02.07	HAND THROTTLE ASSEMBLY
03.01	PARKING BRAKE
03.02	BRAKE, HST
03.03	BRAKE PEDALS, HST
03.03.01	CLUTCH, HST
03.03.01	FORWARD & REVERSE PEDALS, HST
03.03.02	CLUTCH ASSEMBLY, PTO
03.04	FRONT TRANSMISSION CASE & SHIFTER, HST
03.05	FRONT TRANSMISSION GEARS, HST

TABLE OF CONTENTS

03.06	FWD CONTROL LEVER
03.07	FWD CONTROL LEVERS WITH SUPERSTEER
03.08	DIFFERENTIAL LOCK CONTROLS HST
03.10	LH LEVERS ASSEMBLY, W/SS
03.10.01	LH LEVERS ASSEMBLY, W/FWD
03.13	REAR TRANSMISSION PTO DRIVE, UPPER
03.13.02	CONTROL VALVE, PTO
03.14	REAR TRANSMISSION PTO DRIVE, LOWER
03.15	FWD DROP BOX AND DRIVE SHAFT
03.16	REAR TRANSMISSION, MID PTO
03.17	MID-PTO KIT, 2000 RPM
03.18	HST ASSEMBLY
03.19	KIT CL3 HST NOISE REDUCTION
04.01	FRONT AXLE, FWD
04.02	FRONT AXLE, SUPERSTEER
04.03	FRONT AXLE & STEERING W/FWD
04.05.01	POWER STEERING CYLINDER ASSEMBLY, W/FWD
04.06	FRONT AXLE & STEERING W/SUPERSTEER
04.06.01	POWER STEERING CYLINDER ASSEMBLY, W/SUPERSTEER
04.08	POWER STEERING HOSES
04.09	POWER STEERING PUMP ASSEMBLY
04.10	FRONT DIFFERENTIAL GEARS W/FWD
04.11	FINAL REDUCTION GEARS, W/FWD
04.12	UNIVERSAL JOINT W/SUPERSTEER
05.01	REAR AXLE DIFFERENTIAL & LOCK LINKAGE
05.02	REAR AXLE BRAKE & WHEEL SHAFT
06.01	WIRE HARNESSSES
06.02	ELECTRICAL COMPONENT LOCATION & FUNCTION
06.03	BATTERY & BATTERY PLATE
06.04	FUSES
06.06	RELAYS, DIODES & MODULES
06.07	IGNITION KEY SWITCH & KEYS
06.08	REAR PTO SAFETY SWITCH
06.10	FRONT & REAR LAMPS

TABLE OF CONTENTS

06.11	INSTRUMENT PANEL
06.12	LIGHT,TURN SIGNALS,HORN SWITCH, HAZARD (FLASHING WARNING LIGHTS) SWITCH, WORKLIGHT SWITCH
06.13	ELECTRIC CRUISE CONTROL SWITCH & HI/LO RANGE SELECTOR SWITCH
06.14	AUXILIARY POWER OUTLET
06.18	ROTATING BEACON KIT - 710762026
06.19	WORKLIGHTS
07.01	HYDRAULIC LIFT COVER & ARMS
07.02	HYDRAULIC LIFT COVER, HEAD ASSEMBLY
07.03	HYD CONTROL VALVE, QUADRANT & L/DRAFT CONTROL - HST
07.03.01	HPL CONTROL VALVE ASSEMBLY - SBA340016350
07.03.02	HPL POSITION CONTROL LEVER
07.03.03	HPL DROP RATE CONTROL
07.06	FIRST REAR REMOTE VALVE KIT, SELF-CENTERING - 710366036
07.07	SECOND REAR REMOTE VALVE KIT, SELF-CENTERING - 718334026
07.08	THIRD REAR REMOTE VALVE KIT, SELF-CENTERING - 719339026
07.08.01	REAR REMOTE CONTROL VALVE
07.09	HYD OIL PUMP & PIPING, POWER STEERING PUMP
07.09.01	MANIFOLD DIVERTER BLOCK - SBA340016621
07.09.02	HYDRAULIC OIL PUMP
07.10	HYD OIL FILTER & PIPING
07.11	HYDRAULIC PIPING W/HST
07.15	TWO FUNCTION MID-MOUNT HYDRAULIC CONTROL VALVE KIT - 719918046 - CAB W/HST
07.16	MID-MOUNT HYDRAULIC CONTROL VALVE - 87571203
07.17	TUBE SUPPORT BRACKET FOR MID-MOUNT TUBE KIT LESS LOADER & TOWER.
08.01	FENDERS
08.03	TOOLBOX
08.04	SMV MOUNTING
08.05	HOOD
08.06	HOOD HEADLAMPS & HARDWARE
08.11	GRILLE GUARD KIT - 719849056
08.11.01	CHROME GRILLE GUARD KIT - 719849206
08.12	DECALS - IDENTIFICATION
08.13	DECALS, OPERATING

TABLE OF CONTENTS

08.14	DECALS, WARNING
09.02	DELUXE 3PT HITCH, REAR COUNTERWEIGHT BRACKET & PTO SHIELD
09.03	DELUXE DRAWBAR ASSEMBLY
09.04	DRAWBAR KITS
10.01	CAB
10.01.01	GAS SPRING, CUP HOLDER, INSULATION, MISCELLANEOUS
10.01.02	CAB MOUNT WITHOUT LOADER
10.01.03	CAB MOUNT WITH LOADER
10.01.04	CAB FINISHING GROUP
10.02	ROOF
10.03	HEADLINER
10.04	DOOR, LH
10.05	DOOR, RH
10.06	REAR WINDOW
10.08	FLOOR MAT & DECK
10.09	DELUXE NON/SWIVEL SEATS & ARM REST KIT - 718852026
10.09.01	DELUXE SWIVEL SEATS & ARM REST KIT - 718852026
10.10	POD TOPS
10.11	CONSOLE, CAB
10.12	HOOD, REAR OUTSIDE (ONE PIECE)
10.13	FIREWALL
10.13.01	HORN & BRACKET
10.14	STEERING COLUMN, TILT
10.15	HVAC BOX
10.15.01	HVAC
10.15.02	HEATER, EVAPORATOR
10.15.03	HVAC CONTROLS
10.15.04	HOSES, HVAC
10.16	COMPRESSOR MOUNT
10.17	REAR WINDSHIELD WIPER/WASHER DIA - 710642016
10.17.01	FRONT WINDSHIELD WIPER/WASHER
10.18	FRONT SUNVISOR
10.19	OUTSIDE MIRRORS & INSIDE MIRRORS
10.20	CAB ROOF SKYLIGHT BRUSH GUARD KIT - 718002006

TABLE OF CONTENTS

10.21	STEPS
10.22	TIE DOWN
11.01	FRONT WHEELS
11.02	REAR WHEELS
11.03	FRONT END WHEEL WEIGHTS - 710215016 & 718215036,WEIGHT CARRIER - 718233006 & WEIGHT ADAPTER BRACKET SUPERSTEER - 719233056
11.04	REAR WHEEL WEIGHTS, AG BAR & INDUSTRIAL WHEELS ONLY - 710470026
11.05	BALLAST BOX - 715655006

SECTION INDEX

GENERAL

01.10.01

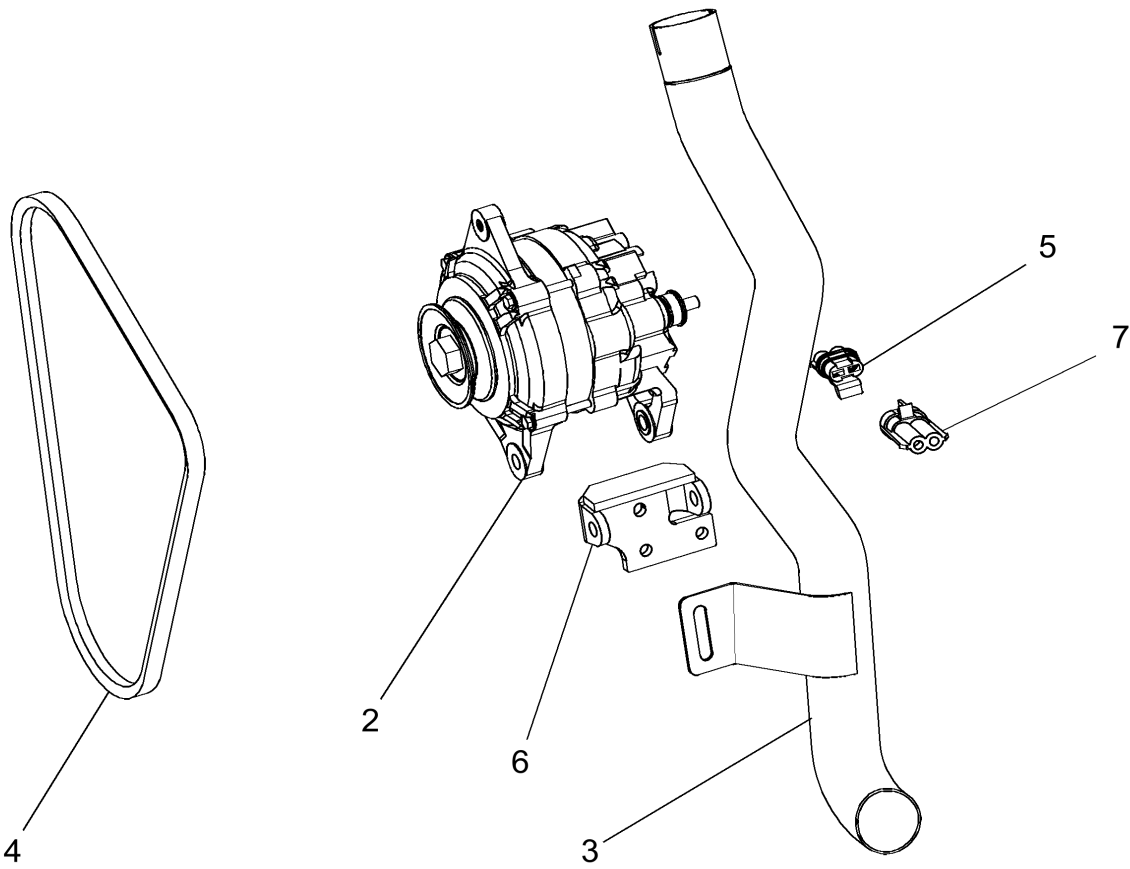
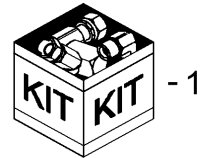
ALTERNATOR KIT, 75AMP

01.10.01

p1

7/2018

ALTERNATOR KIT, 75AMP



ALTERNATOR KIT, 75AMP

REF FN	PART NUMBER	YR/SN	QTY DESCRIPTION
1	84174294		1 DIA KIT, TRACTOR Alternator 75AMP Includes: Ref. 2-13
2	87614402		1 ALTERNATOR 75AMP
3	84159953		1 EXHAUST SYSTEM PIPE Pipe, Exhaust System
4	87499975		1 BELT 12.45mm W x 974.50mm L Fan
5	84172801		1 MULTIPOLE CONNECTOR Female, 2 Pole
6	84173612		1 BRACKET Bracket
7	84172817		1 MULTIPOLE CONNECTOR Male, 2 Pole Male
8	1 84172828		2 TERMINAL Position Assurance
9	1 84172827		2 TERMINAL CONNECTOR Male
10	1 84172823		4 SEAL Cable
11	1 84172825		2 TERMINAL CONNECTOR Female
12	1 84183837		1 FUSE 80A, Maxil, Natural 80A Maxi

(1) Not Illustrated

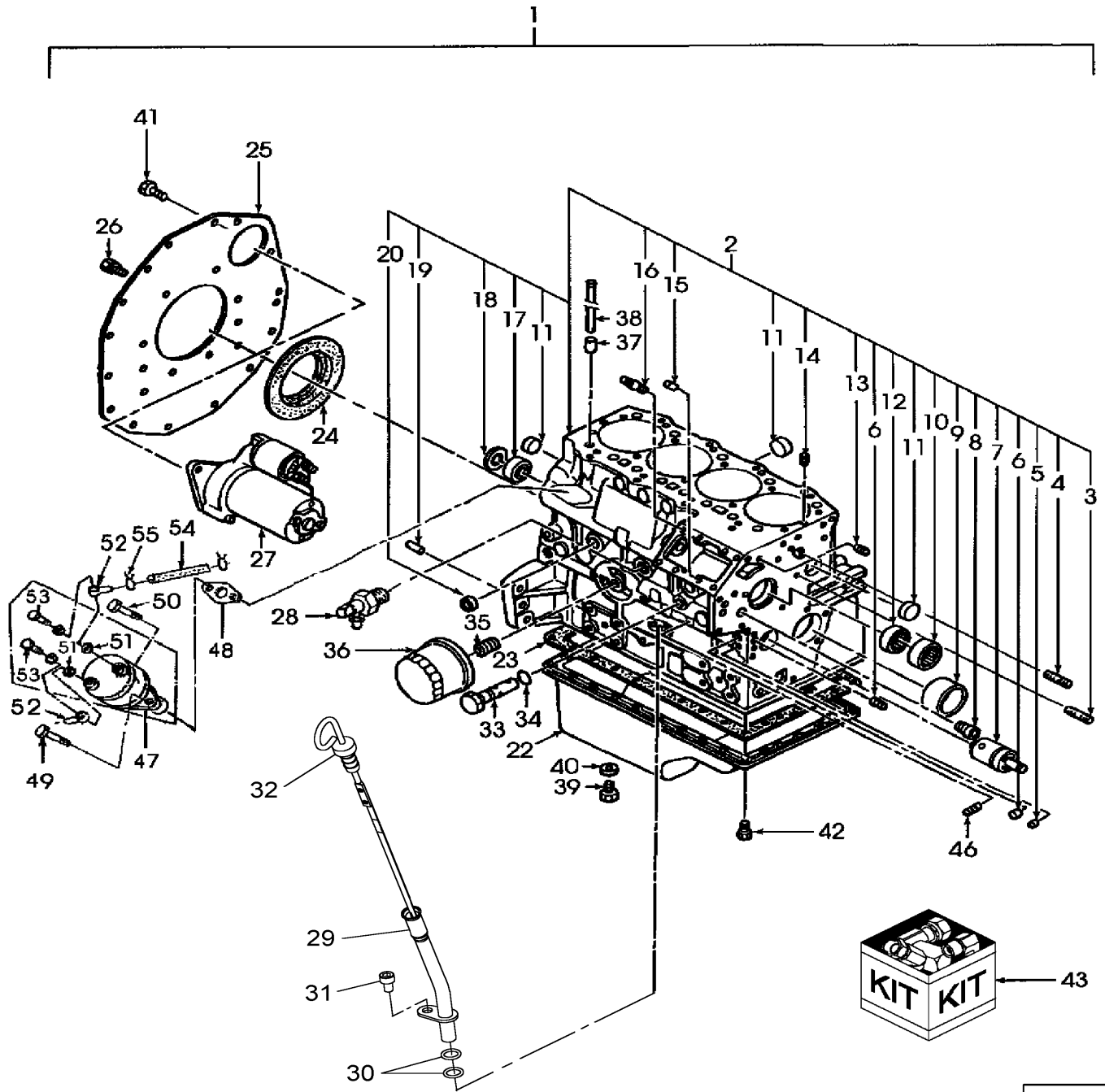
T2310-COMPACT TRACTOR HST TRANSMISSION W/CAB (NORTH AMERICA) T2320-COMPACT TRACTOR HST TRANSMISSION W/CAB (NORTH AMERICA)

SECTION INDEX

ENGINE

01.01	CYLINDER BLOCK
01.01.01	ATTACHING HARDWARE ENGINE TO TRANSMISSION
01.02	CAMSHAFT
01.03	CYLINDER HEAD
01.04	HEAD COVER
01.05	ROCKER ARM
01.06	CRANKSHAFT & PISTONS
01.07	TIMING GEAR CASE
01.08	OIL PUMP, WATER PUMP & FAN
01.09	AIR DEFLECTOR GUARD
01.10	ALTERNATOR ASSEMBLY
01.11	STARTING MOTOR
01.12	BALANCER
01.13	FUEL INJECTION PUMP & LINES
01.13.02	FUEL INJECTOR

CYLINDER BLOCK



Complete engines are typically not available. Recommendation is to order the Long Block through PAL. Long Blocks as listed in PAL are complete engines less the starter, belts, alternator, flywheel.

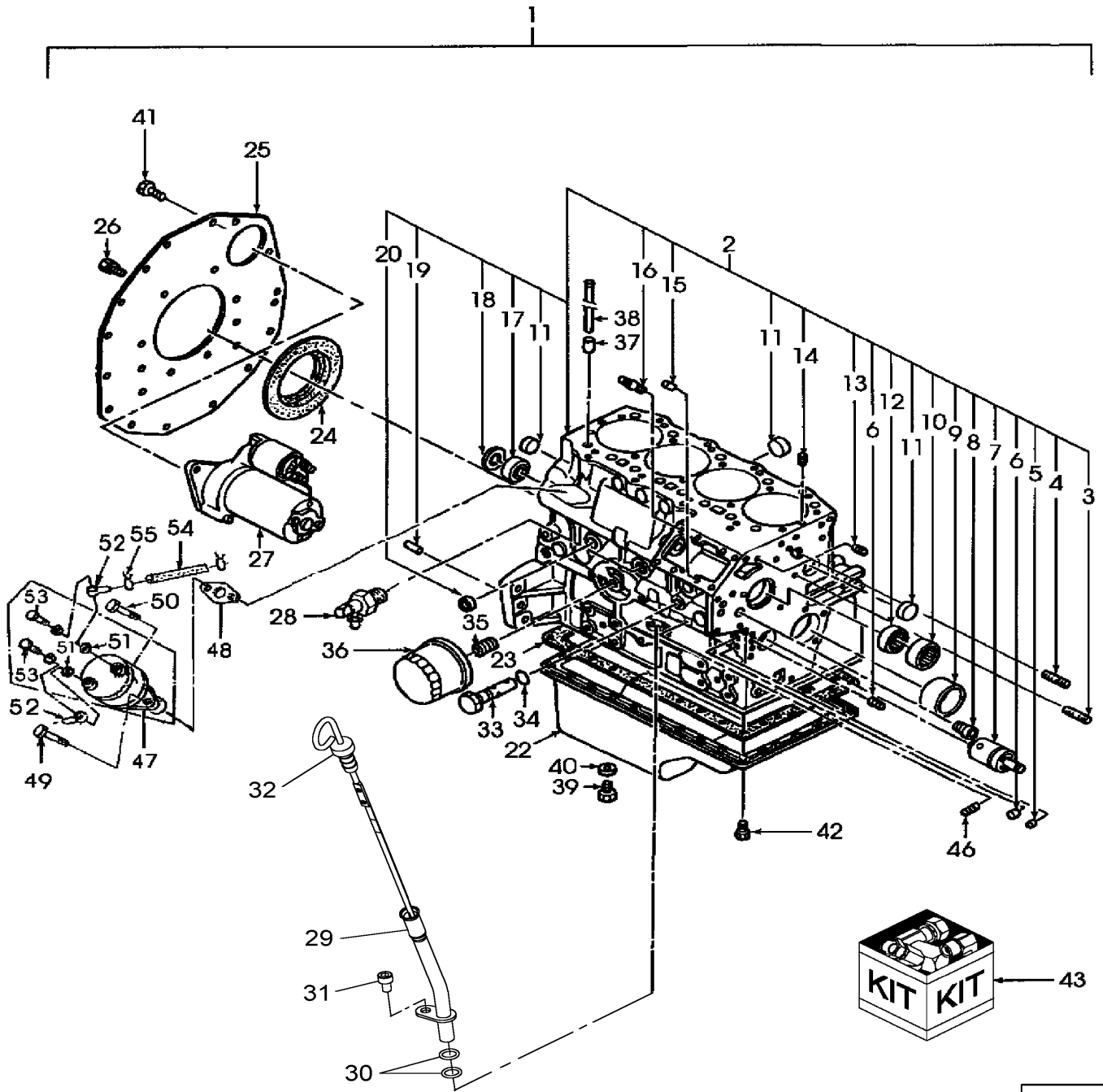
CYLINDER BLOCK

REF	FN	PART NUMBER	YR/SN	QTY DESCRIPTION
1	1	SBA133744		1 ENGINE 4 Cylinders Block, Long Includes: 2 thru 26, 28 thru 40, 42, 46, 48, 49 & 50, T2310
1		SBA133744ER		1 REMAN-REPLACEMENT EN T2310 12X12 OR HST TRANSMISSION W/ROPS, T2310 HST TRANSMISSION W/CAB, All (11/07-)
1		SBA133744EPAC		1 CORE-REPLACEMENT ENG Return Number
1	1	SBA133745		1 ENGINE 4 Cylinders Block, Long Includes: 2 thru 26, 28 thru 40, 42, 46, 48, 49 & 50, T2320
1		SBA133745ER		1 REMAN-REPLACEMENT EN T2320 HST TRANSMISSION W/CAB (NORTH AMERICA) (11/07-)
1		SBA133745EPAC		1 CORE-REPLACEMENT ENG Return Number
2		NSS		1 NOT SOLD SEPARAT Block, Cylinder
3		SBA012110660		1 STUD
4		SBA012110635		1 STUD
5		SBA198466010		3 PLUG Blank 8.4mm
6		SBA198466020		4 PLUG Blank 10.4mm
7		SBA165296260		1 SHAFT Idler Gear, Includes Shaft SBA140196072
9		SBA198517222		1 BUSHING Standard
9		SBA198517226		1 BUSHING U/S, 0.10" or 0.25 mm
9		SBA198517229		1 BUSHING U/S, 0.20" or 0.50 mm
10		SBA042309018		1 NEEDLE BEARING
11		SBA064210040		5 CAP 40mm
12		SBA042309017		1 NEEDLE BEARING
13		SBA030500616		2 DOWEL M6 x 16
14		SBA030309005		2 PIN Spring
15		SBA030500612		2 DOWEL
16		SBA012110820		3 STUD
17		SBA040106203		1 BALL BEARING 17mm ID x 40mm OD x 12mm W

(1) Alternator & Starter Not Included

T2310-COMPACT TRACTOR HST TRANSMISSION W/CAB (NORTH AMERICA) T2320-COMPACT TRACTOR HST TRANSMISSION W/CAB (NORTH AMERICA)

CYLINDER BLOCK



Complete engines are typically not available. Recommendation is to order the Long Block through PAL. Long Blocks as listed in PAL are complete engines less the starter, belts, alternator, flywheel.

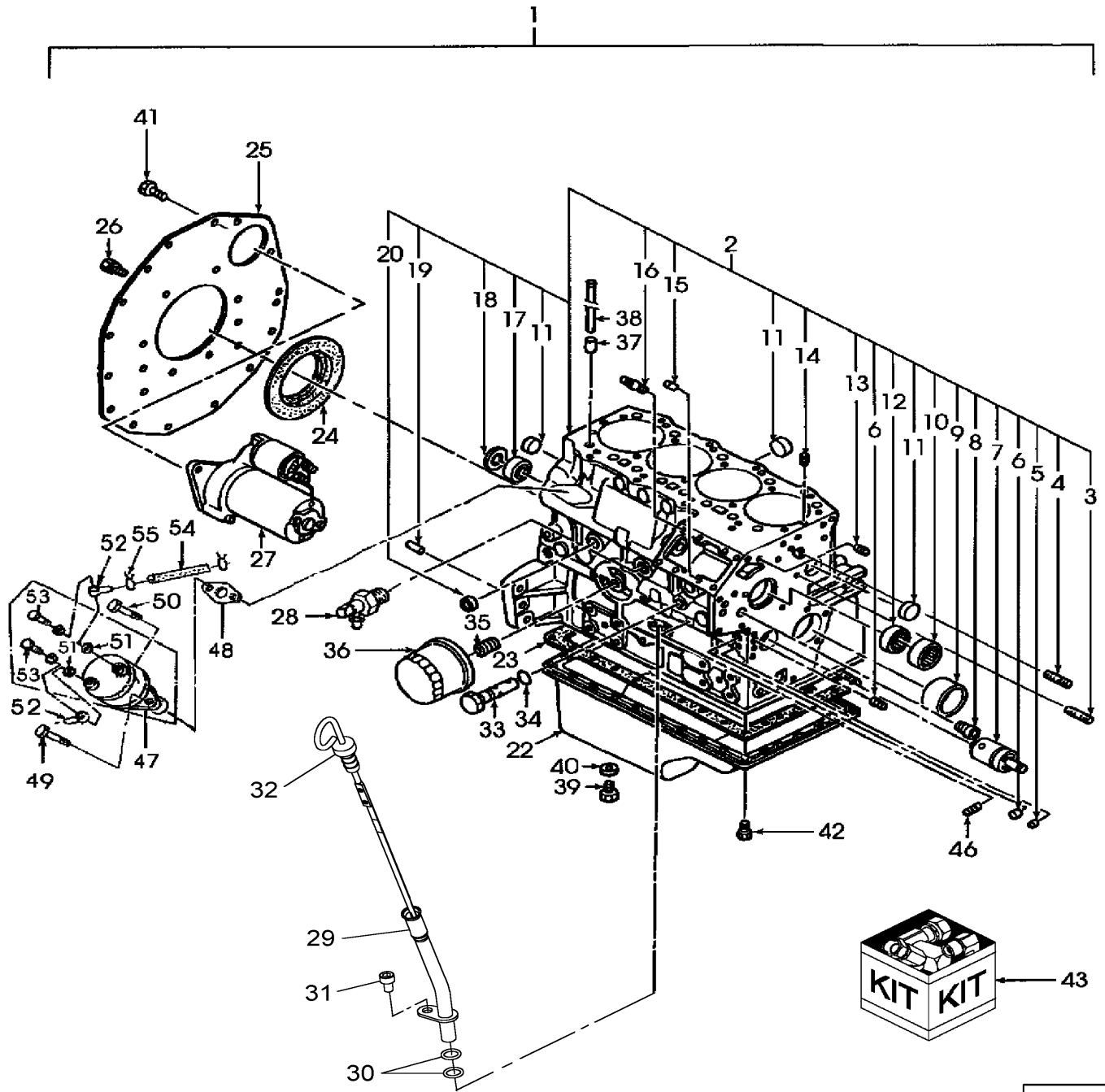
CYLINDER BLOCK

REF FN	PART NUMBER	YR/SN	QTY DESCRIPTION
18	SBA064100045		1 PLUG Expansion
19	SBA030501025		2 BALL STUD M10 x 25 L BALL PIN
20	SBA064210025		2 PLUG 25mm
22	SBA110708320		1 ENGINE OIL PAN
23	SBA110996860		1 GASKET
24	SBA198636170		1 SEAL Oil, T2310
24	SBA050209083		1 SEAL T2320
25	SBA110367750		1 PLATE Rear, T2310
25	SBA110367740		1 PLATE Rear, T2320
26	SBA011510820		10 CAPTIVE WASHER SCREW Hex, M8 x 20, G5
27	1 SBA185086530		1 STARTER MOTOR Refer to Fig. 01.11 for Breakdown
27	SBA185086530GV		1 STARTER MOTOR Value
27	SBA185086530R		1 REMAN-STARTER T2310, T2320, All w/HST Trans. w/Cab -- 11 Tooth Drive
27	SBA185086530C		1 CORE-STARTER Return Number
28	SBA198736270		1 DRAINCOCK/TAP SUPPLY Fitting
29	SBA110756140		1 TUBE Dipstick
30	SBA052100100		2 O-RING
31	SBA011310612		1 CAPTIVE WASHER SCREW Hex, M6 x 12, CI 8.8
32	SBA198416320		1 GAUGE Dipstick
33	SBA140036220		1 VALVE PRESSURE RELIEF
34	SBA052109078		1 O-RING 2.4mm Thk x 9.8mm ID
35	SBA140546020		1 ADAPTER
36	87415600		1 ENGINE OIL FILTER
37	SBA120116160		8 TAPPET 45mm
38	SBA120456250		8 PUSH ROD 7.97" T2310
38	SBA120456310		8 PUSH ROD 8.76" T2320, T2330
39	SBA010411212		2 DRAIN PLUG M12 x 1.25
40	SBA025100012		2 WASHER 12.4mm ID x 19mm OD x 2mm Thk Seal

(1) Not Included in Long Block

T2310-COMPACT TRACTOR HST TRANSMISSION W/CAB (NORTH AMERICA) T2320-COMPACT TRACTOR HST TRANSMISSION W/CAB (NORTH AMERICA)

CYLINDER BLOCK



Complete engines are typically not available. Recommendation is to order the Long Block through PAL. Long Blocks as listed in PAL are complete engines less the starter, belts, alternator, flywheel.

CYLINDER BLOCK

REF FN	PART NUMBER	YR/SN	QTY DESCRIPTION
41	1 SBA011511030		2 CAPTIVE WASHER SCREW Hex, M10 x 30, G5
42	SBA010109235		30 BOLT
43	1 86590117		1 KIT Heater, Engine Coolant, Includes: 5' Cord 86539137, Cable Tie 263117 & Heater NSS
46	SBA064409006		1 PLUG 1/8" NPT
47	SBA130506150		1 FUEL PUMP
48	SBA130996130		1 GASKET
49	SBA011310614		1 BOLT
50	SBA011310616		1 BOLT M6 x 1 x 16, CI 8.8
51	1 SBA025100008		4 SEALING WASHER 7.3mm ID x 14mm OD x 1.8mm Thk
52	1 SBA198486840		2 ELEC CONNECTOR Eye
53	1 SBA130516092		2 BOLT Eye
54	1 SBA068209126		1 HOSE
55	1 SBA067100015		2 HOSE CLAMP

(1) Not Included in Long Block

T2310-COMPACT TRACTOR HST TRANSMISSION W/CAB (NORTH AMERICA) T2320-COMPACT TRACTOR HST TRANSMISSION W/CAB (NORTH AMERICA)

**Thanks very much for your reading,
Want to get more information,
Please click here, Then get the complete
manual**

JustClickHere 

NOTE:

**If there is no response to click on the link above,
please download the PDF document first, and then
click on it.**

**Have any questions please write to me:
admin@servicemanualperfect.com**